

PRESSURE TRANSMITTER ASSEMBLY BPSG2-PTA-MOD- EX-SS

(Original operating and maintenance instructions according to EU Directive
2006/42/EC)

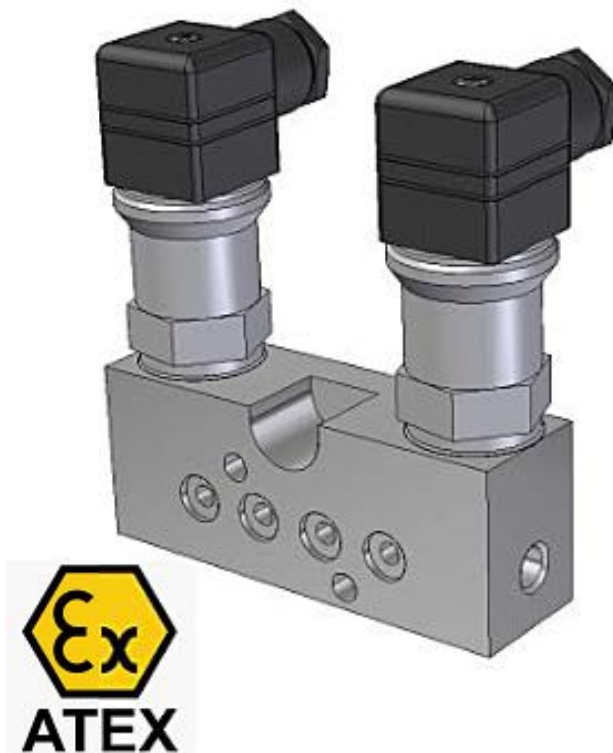


TABLE OF CONTENTS

1 EC Declaration of incorporation	1
2 General Description.....	1
3 Design.....	1
4 Operation.....	1
4.1 Start-up.....	1
5 Settings.....	2
6 Technical Specification.....	2
6.1 Technical Data.....	2
6.2 Connections.....	3
6.3 Symbols.....	3
7 Troubleshooting	4
7.1 Troubleshooting Table.....	4
8 Spare parts	5
9 Contact information.....	5

1 APPENDIX

1 EC Declaration of incorporation

The original Declaration of Incorporation of Partly-Completed Machinery (Machine Directive 2006/42/EC, Annex II, Part 1, Section B)

Oy SKF Ab
Teollisuustie 6 (P.O. Box 80)
FIN-40951 MUURAME

Person authorised to compile the relevant technical documentation:
Technical Manager and Product Manager, Centralized Lubrication Systems, Muurame Unit.

Herewith declares that for the partly completed machinery:

PRESSURE TRANSMITTER ASSEMBLY BPSG2-PTA-MOD-EX-SS

- The following directives
 - 94/9/CE (ATEX)
 - 97/23/CE (DEP)
 - 2004/108/CE (CEM)

have been insured in the pressure transmitter supplier's insurance in the Appendix 1

This partly completed machinery must not be put into service until the final machinery into which it is to be incorporated has been declared in conformity with the provisions of the Machinery Directive 2006/42/EC, where appropriate.

Muurame

14.12.2012

Place

Date



Tuomo Helminen
Local Manager



Warning Read and follow the safety precautions and general instructions in this manual and also in the SKF manual "*Safety and general instructions for lubrication systems.*" Failure to follow these instructions could result in serious injury or damage to the lubrication system or the equipment that is lubricated.

2 General Description

The pressure transmitter assembly is the control unit of the operating pressure in a centralized lubrication system.

3 Design

Note!

The numbers in brackets are the position numbers for Figure 1.

Pressure transmitter assembly (pos. 5B) 2) consists of a frame and pressure transmitters (pos. 1) for both of the main lines.

4 Operation

The task of the pressure transmitter assembly is to measure the pressure in the lubrication system. The pressure transmitters, which are installed in the body of the assembly, measure pressure of the passing lubricant and the information is transmitted to the control unit. The pressure of the main lines can be monitored from the control unit.

4.1 Start-up



Warning Electrical connections must only be made by qualified electricians. Operating voltage must be shut off before touching electrically conductive parts or opening any parts of the system or component



Warning Make sure that there is no pressure in the system. Detach from the pipes before removing the pressure transmitter assembly. If the system is under pressure when the components are being disconnected or opened, the components or lubricant might be flung in the air causing injury to people or damage to the environment.

The pressure transmitter assembly is installed on the base plate of the doser group under the doser.

5 Settings

See SKF MAXILUBE / User interface IF-105 / Settings

See SKF DUOFLEX / SKF ST-1340 Control Center / Settings

See SKF DUOFLEX / SKF ST-1440 Control Center / Settings

6 Technical Specification

6.1 Technical Data

Table 1 Technical data

Quantity	Value	Unit	Description
t	-40...+80	°C	operation temperature
p	0–250	bar	pressure range
U	24 (10-30)	V DC	supply voltage
I	4–20	mA	outgoing signal: pressure signal from the pressure transmitter
ATEX	II 1/2 G EX ia IIC T		

6.2 Connections

Lubricant connections:

- inputs: 4 pcs
- outputs: 4 pcs

Electrical connections:

- 4 -cable , L -plug, DIN EN 175301-803 IP65
- inputs: supply voltage
- outputs: output signal

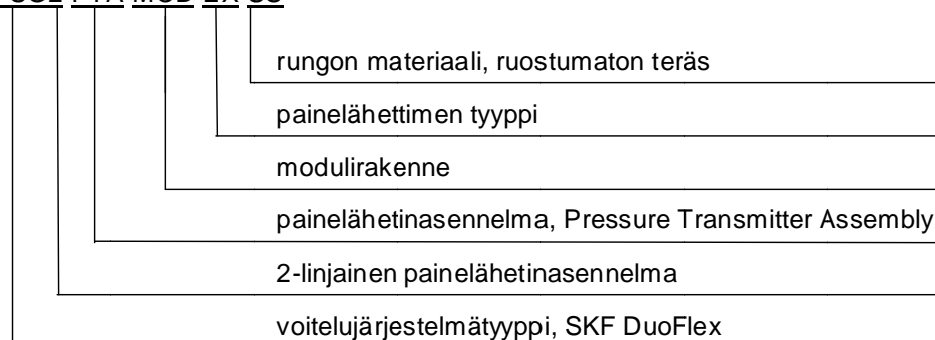
6.3 Symbols

Table 2 Symbols

BPSG2-PTA-MOD-EX-xx	Abbreviation	Description
BPSG:	BPSG:	Base Plate SKF DuoFlex
2:	2	2-line pressure transmitter assembly
PTA:	PTA	Pressure Transmitter Assembly
MOD:	MOD	module structure
EX:	EX	pressure transmitter type
xx:	ZN	body material, zinc-coated and yellow-passivated steel
	SS	body material, acid resistant steel AISI 316

Example:

BPSG2-PTA-MOD-EX-SS



Type	Code	Drawing number
BPSG2-PTA-MOD-EX-SS	12385328	

7 Troubleshooting

7.1 Troubleshooting Table

Table 3 Troubleshooting Table

Operation disturbance	Cause of operation disturbance	Solution
<p>The control center display shows ---</p> <p>The control center display shows 250 constantly</p> <p>The data from the pressure transmitter arrive at separate lubrication lines</p>	Pressure transmitters are not connected	<p>Connect the pressure transmitters in accordance with the separate electronical drawing.</p> <p>Check the cables.</p>
	The pressure transmitter's cables are cut	
	The cables have short-circuited	Check the cables
	The pressure transmitter's inputs are connected wrongly	Check the connections.

8 Spare parts

See BPSG2-PTA-MOD-EX-SS - pressure transmitter assembly spare parts (drawing 1 and table 4 / 361880).

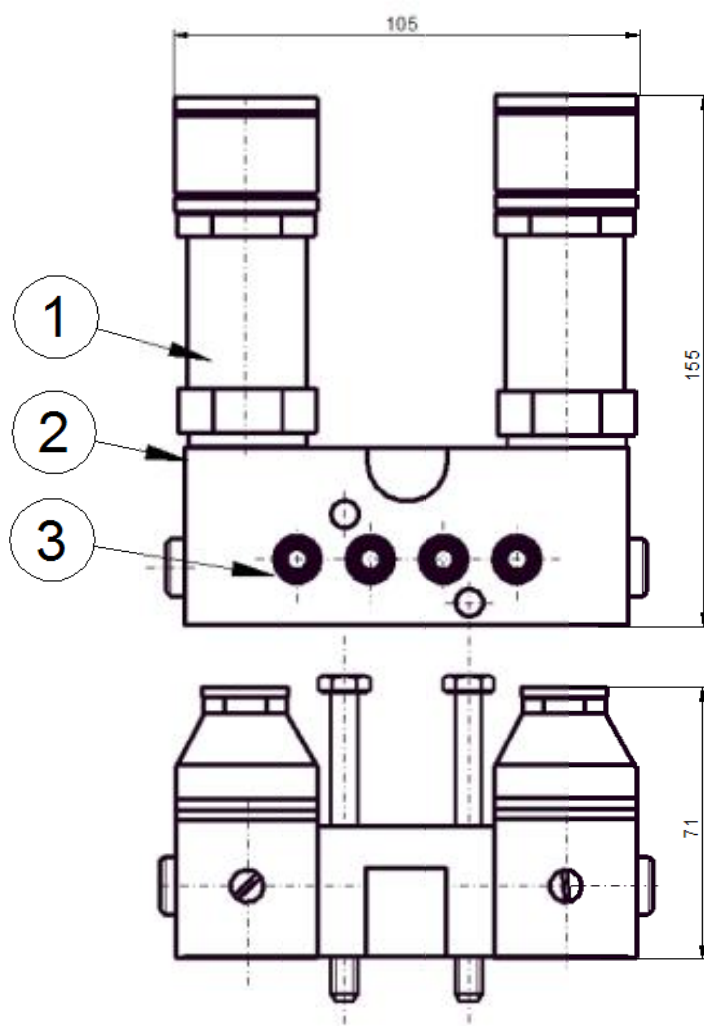


Figure 1.

Table 4 Spare parts

Item	Description	Order code
1	Pressure transmitter	12605238
2	Pressure transmitter assembly	12385328
3	O-circuit 6.3 x 2.4	12680400

9 Contact information

Oy SKF Ab
P.O. Box 80 (Teollisuustie 6)
FI-40951 MUURAME
FINLAND
Tel. +358 (0) 207 400 800
Fax. +358 (0) 207 400 899
www.skf.com

EG-Konformitätserklärung**EC Declaration of Conformity****Dokument Nr.:**

11135166.02

Wir erklären in alleiniger Verantwortung, dass die mit CE gekennzeichneten Produkte

Typ:**IS-20-S, IS-21-S, IS-20-F, IS-21-F, IS-20-H****Beschreibung:****Eigensichere Druckmessumformer**

gemäß gültigem Datenblatt:

PE 81.50, PE 81.51, PE 81.52

die grundlegenden Schutzanforderungen der folgenden Richtlinie(n) erfüllen:

94/9/EG (ATEX)⁽¹⁾
97/23/EG (DGRL)⁽²⁾
2004/108/EG (EMV)**Kennzeichnung:**II 1G Ex ia IIA T4/T5/T6
II 1/2G Ex ia IIC T4/T5/T6
II 1D Ex iaD 20 IP 65 T80 °C / T100 °C
I M1 Ex ia I

Die Geräte wurden entsprechend den folgenden Normen geprüft:

EN 61326-1:2006, EN 61326-2-3:2006
EN 60079-0:2006⁽¹⁾, EN 60079-11:2007⁽¹⁾
EN 60079-26:2004⁽¹⁾, EN 61241-0:2006⁽¹⁾
EN 61241-11:2006⁽¹⁾, EN 50303:2000⁽¹⁾(1) EG-Baumusterprüfbescheinigung BVS 04 ATEX E 068 X von DEKRA EXAM GmbH, D-44809 Bochum (Reg.-Nr. 0158).
(2) PS > 200 bar, Modul A, druckhaltendes Ausrüstungsteil**Document No.:**

11135166.02

We declare under our sole responsibility that the CE marked products

Model:**IS-20-S, IS-21-S, IS-20-F, IS-21-F, IS-20-H****Description:****Intrinsically safe pressure transmitter**

according to the valid data sheet:

PE 81.50, PE 81.51, PE 81.52

are in conformity with the essential protection requirements of the directive(s)

94/9/EC (ATEX)⁽¹⁾
97/23/EC (PED)⁽²⁾
2004/108/EC (EMC)**Marking:**II 1G Ex ia IIA T4/T5/T6
II 1/2G Ex ia IIC T4/T5/T6
II 1D Ex iaD 20 IP 65 T80 °C / T100 °C
I M1 Ex ia I

The devices have been tested according to the following standards:

EN 61326-1:2006, EN 61326-2-3:2006
EN 60079-0:2006⁽¹⁾, EN 60079-11:2007⁽¹⁾
EN 60079-26:2004⁽¹⁾, EN 61241-0:2006⁽¹⁾
EN 61241-11:2006⁽¹⁾, EN 50303:2000⁽¹⁾(1) EC type examination certificate BVS 04 ATEX E 068 X of DEKRA EXAM GmbH, D-44809 Bochum (Reg. no. 0158).
(2) PS > 200 bar, Module A, pressure accessory

Unterzeichnet für und im Namen von / Signed for and on behalf of

WIKAI Alexander Wiegand SE & Co. KG

Klingenberg, 2013-03-18

Geschäftsbereich / Company division: TRONIC

Qualitätsmanagement / Quality management: TRONIC

Stefan Richter
Steffen Schlesiona

Unterschrift, autorisiert durch das Unternehmen / Signature authorized by the company

Déclaration de Conformité CE**Declaración de Conformidad CE****Document No.:**

11135166.02

Documento Nº:

11135166.02

Nous déclarons sous notre seule responsabilité
que les appareils marqués CE

Declaramos bajo nuestra sola responsabilidad,
que los equipos marcados CE

Type:**IS-20-S, IS-21-S, IS-20-F, IS-21-F, IS-20-H****Modelo:****IS-20-S, IS-21-S, IS-20-F, IS-21-F, IS-20-H****Description:****Transmetteur de pression à sécurité intrinsèque****Descripción:****Transmisor de presión de seguridad intrínseca**

selon fiche technique valide:

PE 81.50, PE 81.51, PE 81.52

según ficha técnica en vigor:

PE 81.50, PE 81.51, PE 81.52

sont conformes aux exigences essentielles de sécurité
de la (les) directive(s):

94/9/CE (ATEX)⁽¹⁾
97/23/CE (DESP)⁽²⁾
2004/108/CE (CEM)

cumplen con los requerimientos esenciales de seguridad
de las Directivas:

94/9/CE (ATEX)⁽¹⁾
97/23/CE (DEP)⁽²⁾
2004/108/CE (CEM)

Marquage:

II 1G Ex ia IIA T4/T5/T6
II 1/2G Ex ia IIC T4/T5/T6
II 1D Ex iaD 20 IP 65 T80 °C / T100 °C
I M1 Ex ia I

Marcaje:

II 1G Ex ia IIA T4/T5/T6
II 1/2G Ex ia IIC T4/T5/T6
II 1D Ex iaD 20 IP 65 T80 °C / T100 °C
I M1 Ex ia I

Les appareils ont été vérifiés suivant les normes:

Los dispositivos han sido verificados de acuerdo a las normas:

EN 61326-1:2006
EN 60079-0:2006⁽¹⁾
EN 60079-26:2004⁽¹⁾
EN 61241-11:2006⁽¹⁾
EN 61326-2-3:2006
EN 60079-11:2007⁽¹⁾
EN 61241-0:2006⁽¹⁾
EN 50303:2000⁽¹⁾

EN 61326-1:2006
EN 60079-0:2006⁽¹⁾
EN 60079-26:2004⁽¹⁾
EN 61241-11:2006⁽¹⁾
EN 61326-2-3:2006
EN 60079-11:2007⁽¹⁾
EN 61241-0:2006⁽¹⁾
EN 50303:2000⁽¹⁾

(1) Attestation d'examen CE de type BVS 04 ATEX E 068 X de
DEKRA EXAM GmbH, D-44809 Bochum (reg. no. 0158).
(2) PS > 200 bar; Module A, accessoires sous pression

(1) Certificado de examen CE de tipo BVS 04 ATEX E 068 X de
DEKRA EXAM GmbH, D-44809 Bochum (reg. no. 0158).
(2) PS > 200 bar; Módulo A, accesorios a presión

Signé à l'intention et au nom de / Firmado en nombre y por cuenta de

WIKAI Alexander Wiegand SE & Co. KG

Klingenberg, 2013-03-18

Ressort / División de la compañía: TRONIC

Management de la qualité / Gestión de calidad: TRONIC

Stefan Richter

Steffen Schlesiona

Signature, autorisée par l'entreprise / Firma autorizada por el emisor

Deklaracja zgodności CE

Dokument Nr:

11135166.02

Oświadczamy na własną odpowiedzialność, że produkty oznaczone znakiem CE

Model:

IS-20-S, IS-21-S, IS-20-F, IS-21-F, IS-20-H

Opis:**Iskrobezpieczny przetwornik ciśnienia**

zgodnie z obowiązującą kartą katalogową:

PE 81.50, PE 81.51, PE 81.52

spełniają podstawowe wymagania dyrektyw(-y):

94/9/CE (ATEX)⁽¹⁾
97/23/CE (PED)⁽²⁾
2004/108/CE (EMC)

Oznakowanie:

II 1G Ex ia IIA T4/T5/T6
II 1/2G Ex ia IIC T4/T5/T6
II 1D Ex iaD 20 IP 65 T80 °C / T100 °C
I M1 Ex ia I

Urządzenia zostały przetestowane zgodnie z następującymi normami:

EN 61326-1:2006,	EN 61326-2-3:2006
EN 60079-0:2006 ⁽¹⁾ ,	EN 60079-11:2007 ⁽¹⁾
EN 60079-26:2004 ⁽¹⁾ ,	EN 61241-0:2006 ⁽¹⁾
EN 61241-11:2006 ⁽¹⁾ ,	EN 50303:2000 ⁽¹⁾

(1) Certyfikat badania typu EC BVS 04 ATEX E 068 X, DEKRA EXAM GmbH, D-44809 Bochum (nr rej. 0158).

(2) PS > 200 bar; Moduł A, akcesoria ciśnieniowe

Podpisano w imieniu firmy

WIKAI Alexander Wiegand SE & Co. KG

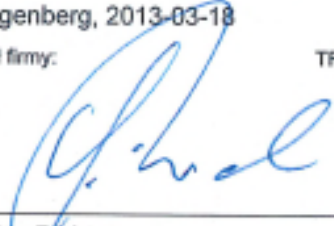
Klingenberg, 2013-03-18

Dział firmy:

TRONIC

Zarządzanie jakością:

TRONIC


Stefan Richter
Steffen Schlesiona

Podpis autoryzowany przez firmę